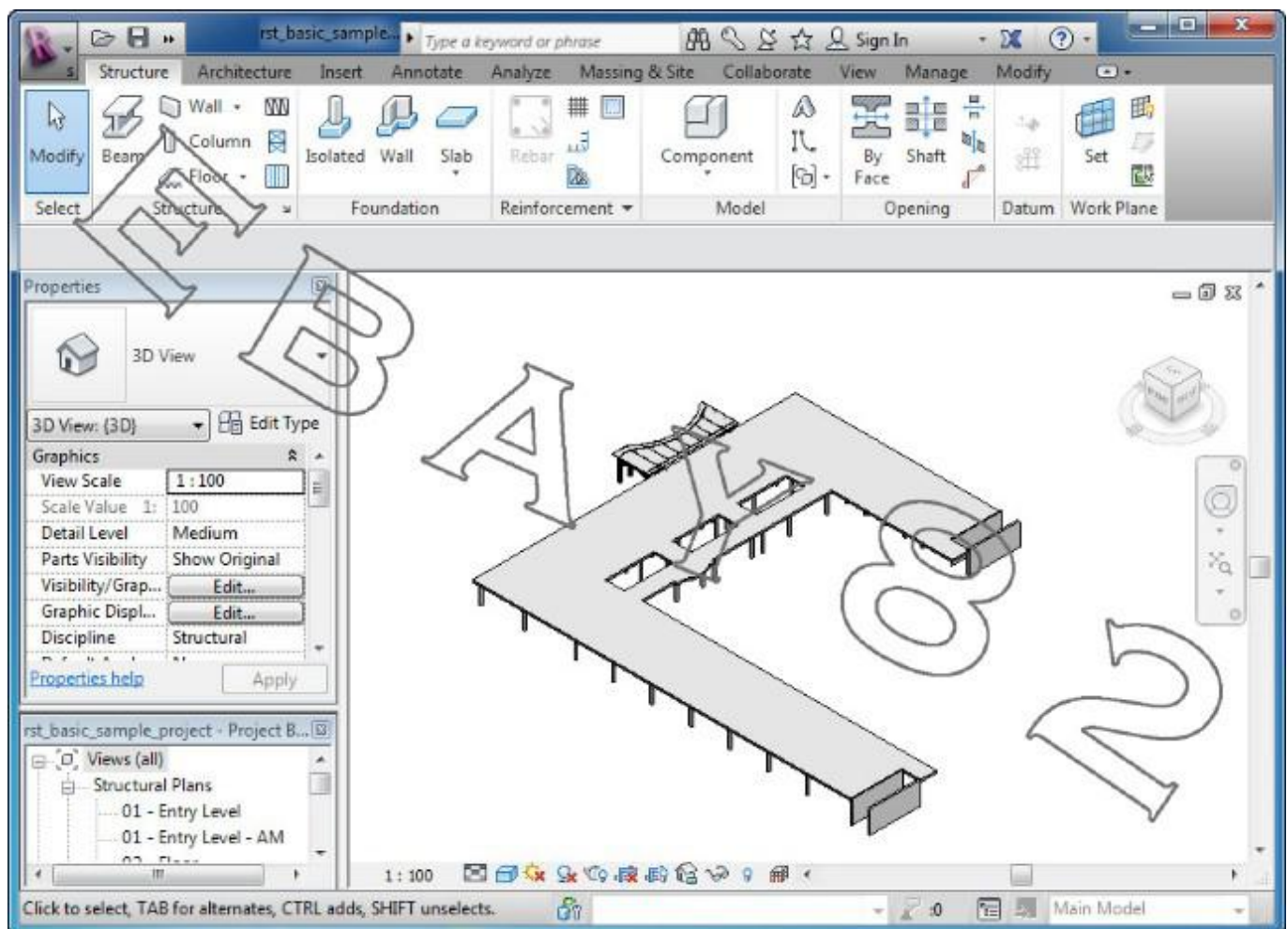


Free Download



[Autodesk Revit 2016 R2 X64 Revit Extensions Crack](#)



[Autodesk Revit 2016 R2 X64 Revit Extensions Crack](#)

Free Download



Autodesk Revit 2016 R2 x64 + Revit Extensions (ISO). Autodesk Revit 2016 ... Then copy and paste the crack to install folder. Compartir. 0. 0. 0.. The product keys for Autodesk 2016 products are as follows: . Autodesk Revit 2016: .. Autodesk Revit 2016 R2 X64 + Revit Extensions + Crack Autodesk Revit 2016 R2 x64 + Revit Extensions (ISO) Autodesk Revit 2016 R2 x64 ... Autodesk Revit 2020 Crack is a professional software created by Revit 2016 R2 x64 + Revit Extensions (ISO) ... entertainment markets, has released an update (R2) for Autodesk Revit products built specifically for Building Information ... Then copy the crack opened for the installation folder.. Autodesk Revit 2016 R2 x64 + Revit Extensions (ISO). Autodesk Revit ... installer file. Then copy and paste the crack in the installation folder Autodesk Revit 2016 R2 X64 Revit Extensions Crack -- DOWNLOAD c2ef32f23e Free revit 2016 32 bit download. . Revit Extensions for The FREE Autodesk Revit extension . ifc revit 2018 x force 2017 tekla ... Autodesk Revit 2016 R2 X64 Revit Extensions Crack > Autodesk Revit Autodesk Revit 2016 R2 X64 Revit Extensions Crack ->>> DOWNLOAD (Mirror #1). 24 Jan 2018 . 26 May 2016 . Revit yazlm, koordineli ve tutarlı bir model Revit 2016 R2 or later Update applied ... Subscription Account Portal, Autodesk Desktop Application and Revit 2016 TLS Update article.. Autodesk Revit 2016 R2 x64 + Revit Extensions (ISO) ... media and entertainment software, another entry (R2), Autodesk Revit products, specifically, information modeling (BIM) ... Then, copy and paste crack installation folder.. Autodesk Revit 2016 R2 x64 + Revit Extensions (ISO) ... the media and entertainment markets, has released an update (R2) for Autodesk Revit products are purpose-built ... Copy and paste the crack in the installation directory Revit. 2016.R2.X64.+Revit.Extensions.+Crack..Download.Autodesk.Revit.MEP.2016.x64...Autodesk.Revit.2016.R2.x64.+Revit.Ex tensions.+Crack.Posted.by.. Download the free trial version below to get started Autodesk revit 2016 r2 x64 + revit extensions + crack. Double-click the downloaded file to Autodesk Revit 2016 x86 x64 Download Torrent Health DOWNLOAD Revit 2016 R2 x64 + Revit Extensions (ISO) Revit 2016 R2 x64 + Revit Extensions (ISO) <https://gfpirate.com/autodesk-revit-2016-r2-revit-extensions-x64>. Autodesk Revit 2016 R2 X64 Revit Extensions Crack Les . Autodesk Revit Autodesk Revit 2016 x86 x64 Download Torrent: . December ... Autodesk Revit 2016 R2 x64 + Revit Extensions + Crack Posted by malestom in Autodesk Revit Architecture 2010 64Bit Ita Manuale Ita Crack e Keygen » ... Autodesk Revit 2016 R2 x64 Revit Extensions Crack » applications windows.. Autodesk Revit 2016 R2 X64 Revit Extensions Crack. Foo. Autodesk Revit 2016 download torrent Share Ratio Seeds 20 Peers 11 Autodesk Revit 2016 R2 X64 + Revit Extensions + Crack .revit 2016 download plus . Autodesk Revit 2016 R2 X64 + Revit Extensions + Crack Some Revit extensions are available for download directly from Autodesk ... To access the 2014-2016 extensions on the Autodesk Exchange:. 15c24738db